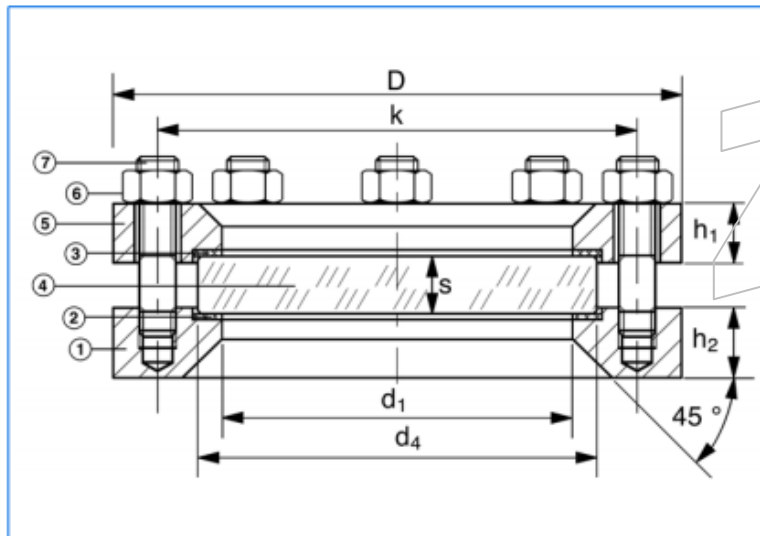
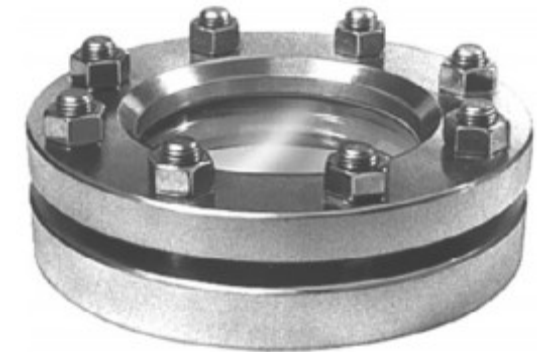


W-Circular sight glass fittings to DIN 28120

Nominal diameter (DN)	Nominal pressure (PN) (bar)	Viewing diameter d_1	Glass disc		Base flange and cover flange				Bolts or studs and nuts			
			d_4	s	D	k	h_1	h_2	Number	Size	Tightening torque (Nm)	
80	6	80	100	10	165	125	16	30	4	M 16	28	
	10			15							32	
	16			15								
100	6	100	125	15	200	160	20	30	8	M 16	20	
	10			15							23	
	16			20								
125	6	125	150	15	220	180	18	30	8	M 16	26	
	10			20			22				30	26
	16			25			22				30	30
150	6	150	175	20	250	210	18	30	8	M 16	32	
	10			20			25				30	32
	16			25			25				30	34
175	6	175	200	20	285	240	18	36	8	M 20	47	
	10			25			30				36	47
	16			30			30				36	54
225	6	225	250	25	340	295	20	36	8	M 20	63	
	10			30			35				36	63



Assembly and construction materials:

		Standard	On demand*
①	Base flange	Steel RSt 37-2	1.4404
⑤	Cover flange	1.4571 (= AISI 316 Ti) or 1.4541 (= AISI 321)	(= AISI 316 L) Aluminium Titan Inconel Steel zinked
②	Gaskets	KLINGERSil C 4400	PTFE
③			Silicone Viton Gylon
④	Glass disc	Sodium silicate to DIN 8902 (max. 150 °C)	Borosilicate to DIN 7080 (max. 280 °C) Quartz
⑥	Nuts		
⑦	Bolts or studs	5.6 / 5.2	A2 / A4

"Zigmaglas" Quality Sight Products

www.pstinter.com